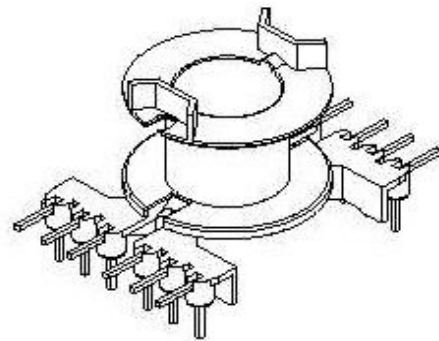
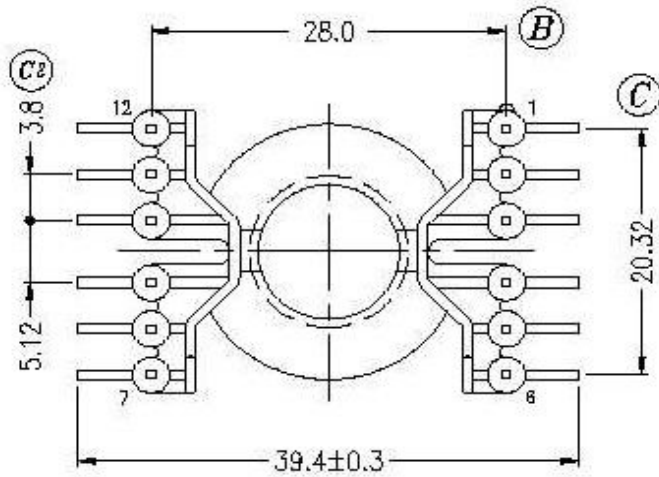
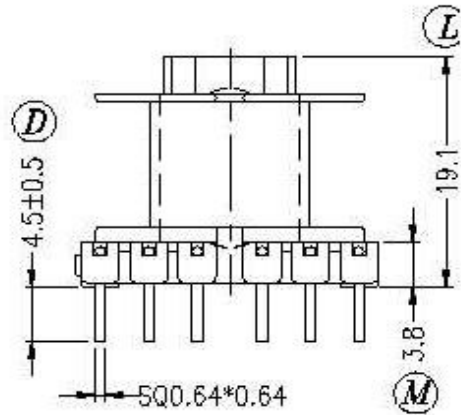
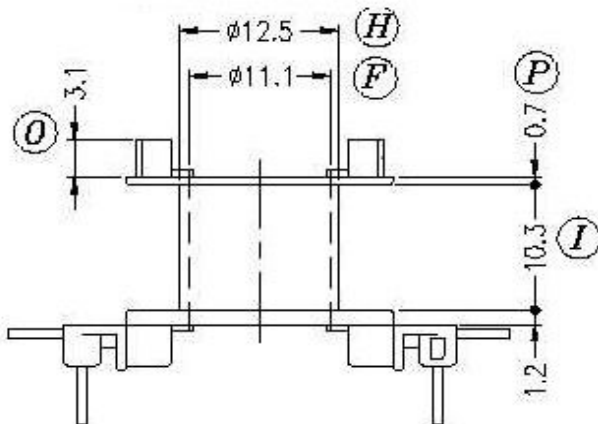
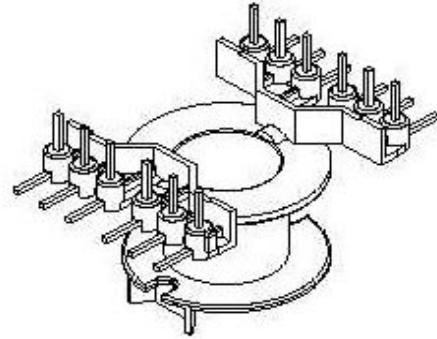
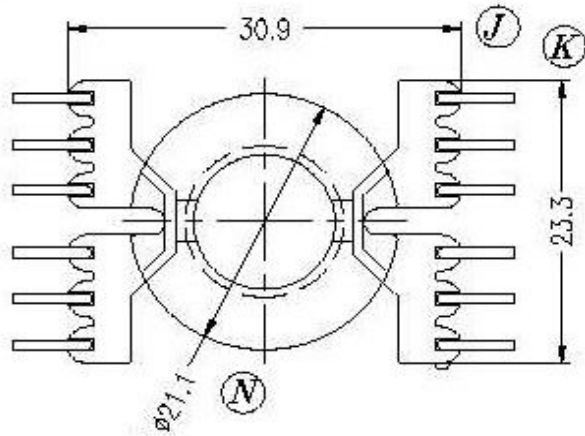


P/N

SR-RM1007



Anhui Shirui Electronic Technology Co., Ltd

TEL: (0086) 55165232650

sales@shiruitech.com

www.shiruitech.com

SR NO. SR-RM1007	MATERIAL: PET FR530	UNIT: mm	TOLERANCE 0 L 4 ±0.10 4 L 16 ±0.20 16 L 64 ±0.30 PIN PITCH ±0.05	DRN.	WILL H
MODEL NAME: RM10-12P-1S Lpin	UL REC: UL 94V-0	ANGLE: ±° ⊕ ◁		CHD.	IRINA LEE
				ISSD.	JAMES HU

Contact salesman:sales@shiruitech.com,For technique to contact :james@shiruitech.com